

Decoupling unit with high insulation voltage

# DU20-15G



$V_{out} = 15\text{ V}$   
 $P_{max} = 5\text{ W}$   
 $V_{iso} = 20\text{ kV}$

**Siebel**  
Elektronik GmbH

Revision 1

Valid from device-revision A

15.12.2020

## APPLICATIONS

- Decoupling Unit for inductive power supply of high voltage isolated devices (e.g. IGBT gate units)

## ELECTRICAL DATA

PARAMETER	TEST CONDITIONS	MIN	TYP	MAX	UNIT
Input current	AC 50...100 kHz	7.5	10	15	A
Output Voltage $V_{out}$	DC voltage	14.5	15	15.5	V
Max. Output Power $P_{max}$	$I_{in} = 8\text{ A}$ $P_{out}$ may derate for lower $I_{in}$	5	5.5	6	W
Isolation voltage supply cable to output connectors	50 Hz AC voltage, 60 s without partial discharge with HSC30 HV cable	20	22		kV
Short Circuit Time	output shortened	infinite			
Ambient temperature		-40		85	°C
Storage temperature		-40		95	°C

## CONNECTION DATA

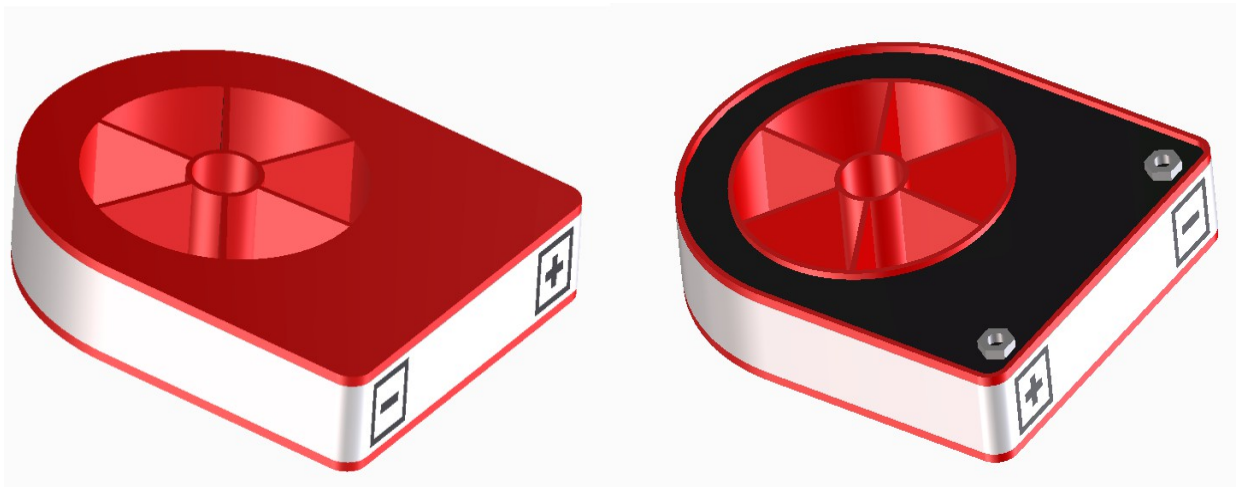
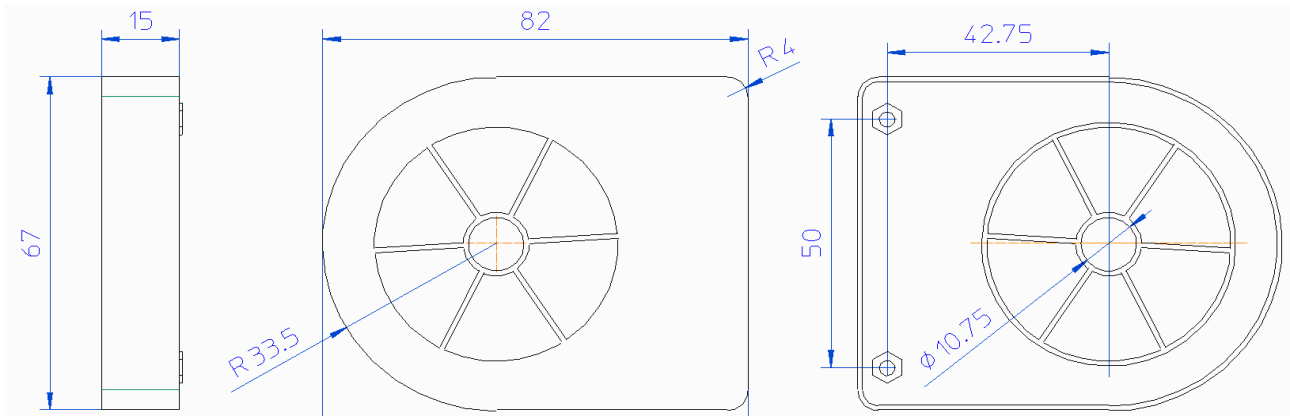
Input	Inductive coupling from current slope cable powered by e.g. SW32-24D10A
Output Connector	2x M3 screw connections polarity as marked on label

## INSTALLATION INSTRUCTIONS

- It is important to run the supplying current slope cable as centered as possible through the hole
- Device has been designed for PCB mounting. There should be no parts beneath the unit.  
Copper traces should lead away from current slope cable.

PARAMETER	TYP	UNIT
Height (with fasteners)	15,5	mm
Width	67	mm
Length	82	mm
Weight	75	g

## DIMENSIONS [mm]



## IMPORTANT NOTICE

Siebel Elektronik GmbH reserves the right to change specifications without notice. Siebel Elektronik GmbH does not provide a guarantee regarding the suitability of this product for any particular purpose. Mounting only by technical experts.